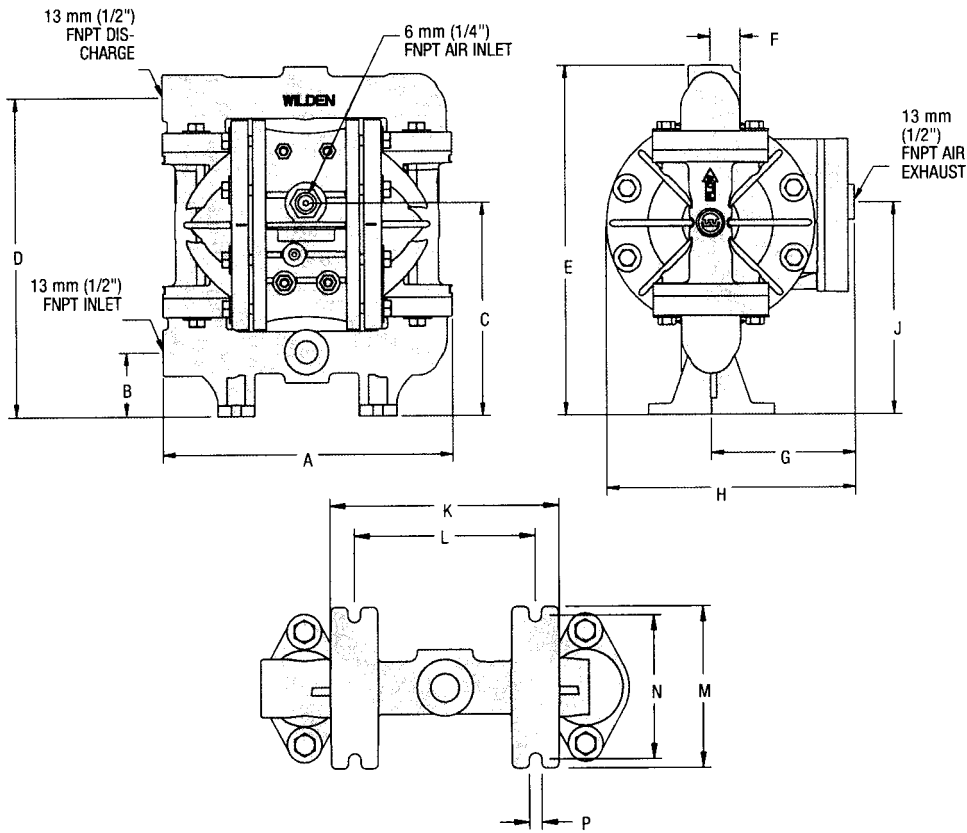
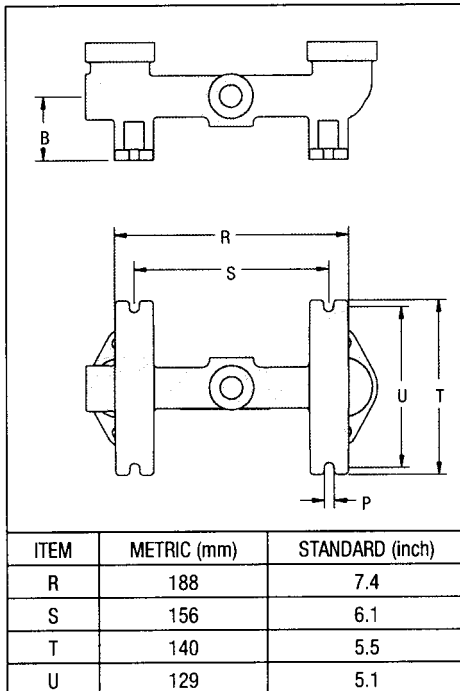


DIMENSIONAL DRAWING

P100 Advanced™ Plastic



OEM FOOTPRINT DIMENSIONS



DIMENSIONS – P100 ADVANCED™ PLASTIC		
ITEM	METRIC (mm)	STANDARD (inch)
A	234	9.2
B	51	2.0
C	170	6.7
D	254	10.0
E	277	10.9
F	25	1.0
G	114	4.5
H	201	7.9
J	170	6.7
K	145	5.7
L	114	4.5
M	102	4.0
N	91	3.6
P	8	0.3