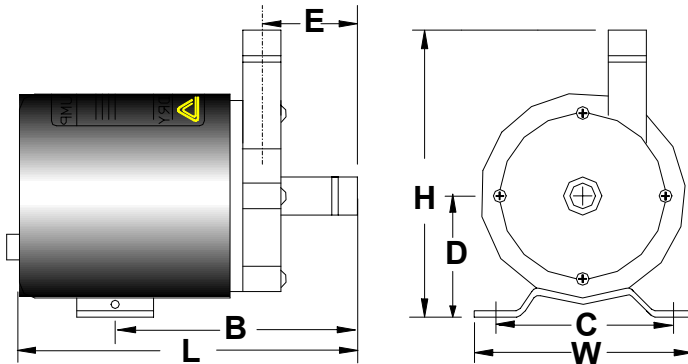
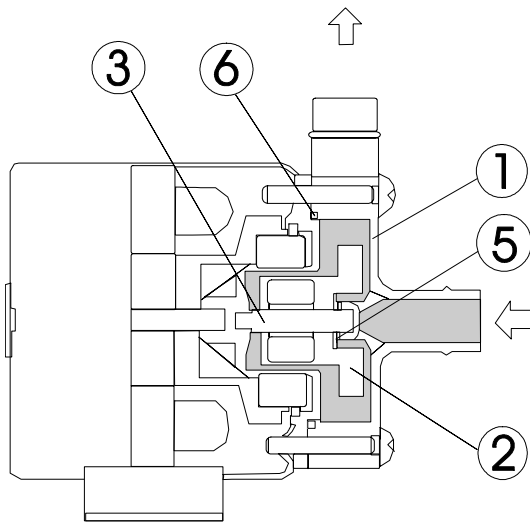


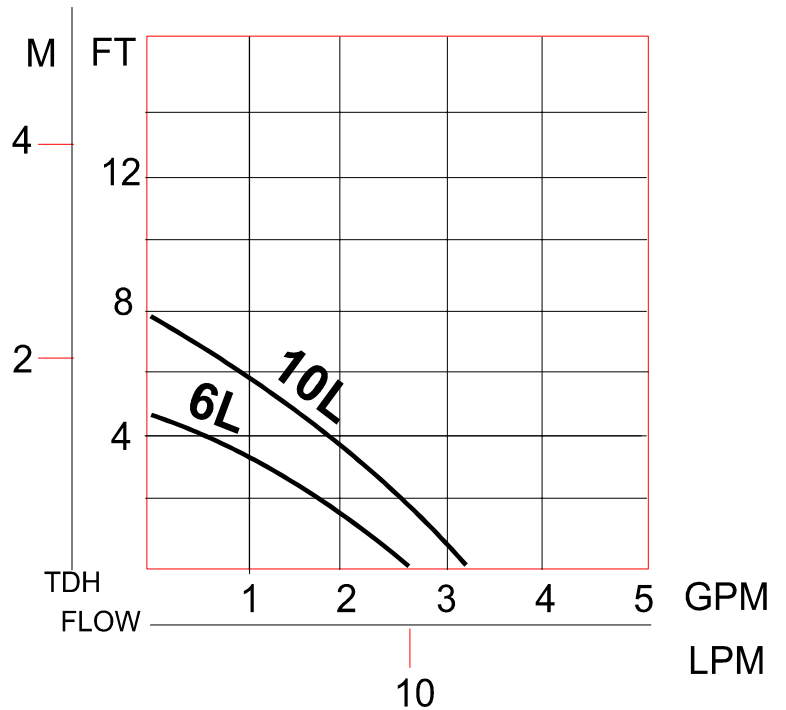
MD-6/10



- Internal cooling circuit reduces bearing temperature
- Compact / Quiet energy efficient design
- Few moving parts for easy maintenance
- Other sizes, voltages & materials available



Part	Material
1 Casing	GFRPP
2 Impeller	GFRPP or CFRPP
3 Spindle	Ceramic
4 Bearing	PTFE
5 Thrust ring	Ceramic or PE
6 O-ring	FKM or EPDM



Dimensions (inches) and Specifications

Model	W	H	L	A	B	C	D	E	F
MD-6	2.91	3.63	4.09	--	2.88	2.36	1.77	1.22	0.67
MD-10	2.91	3.63	4.09	--	2.88	2.36	1.77	1.22	0.67

Model	CONNECTIONS		MOTOR		AMPS 115V	MAX FLOW GPM	MAX HEAD FT	MAX SYS PRESSURE PSI	S.G.	WEIGHT LBS
	HOSE	NPTM	OUTPUT (HP)	SPEED (RPM)						
MD-6	1/2	--	1/250	3100	.25	2.3	4.5	2.8	1.2	2
MD-10	1/2	--	1/125	2900	.40	3.1	6.8	4.3	1.1	2