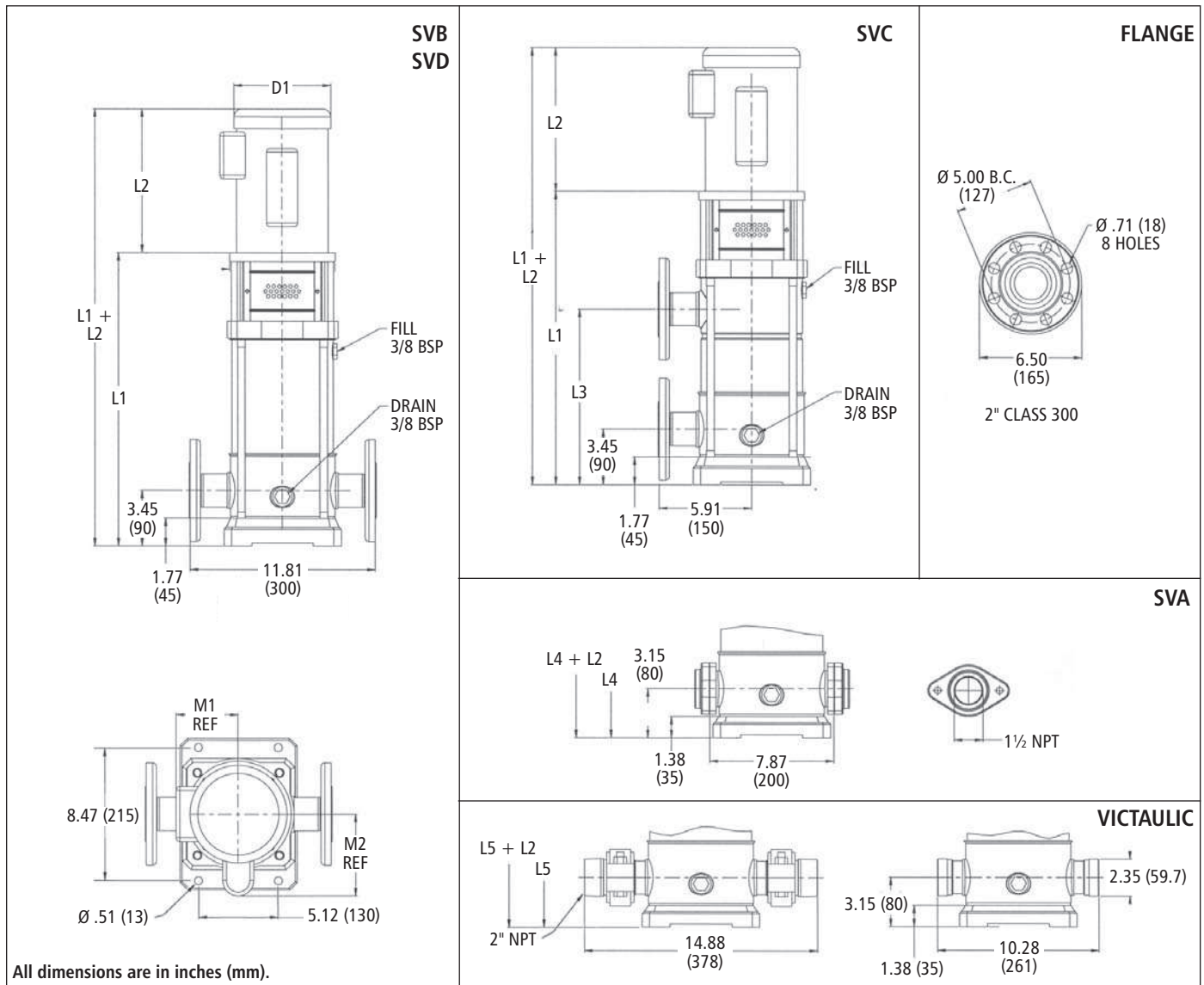
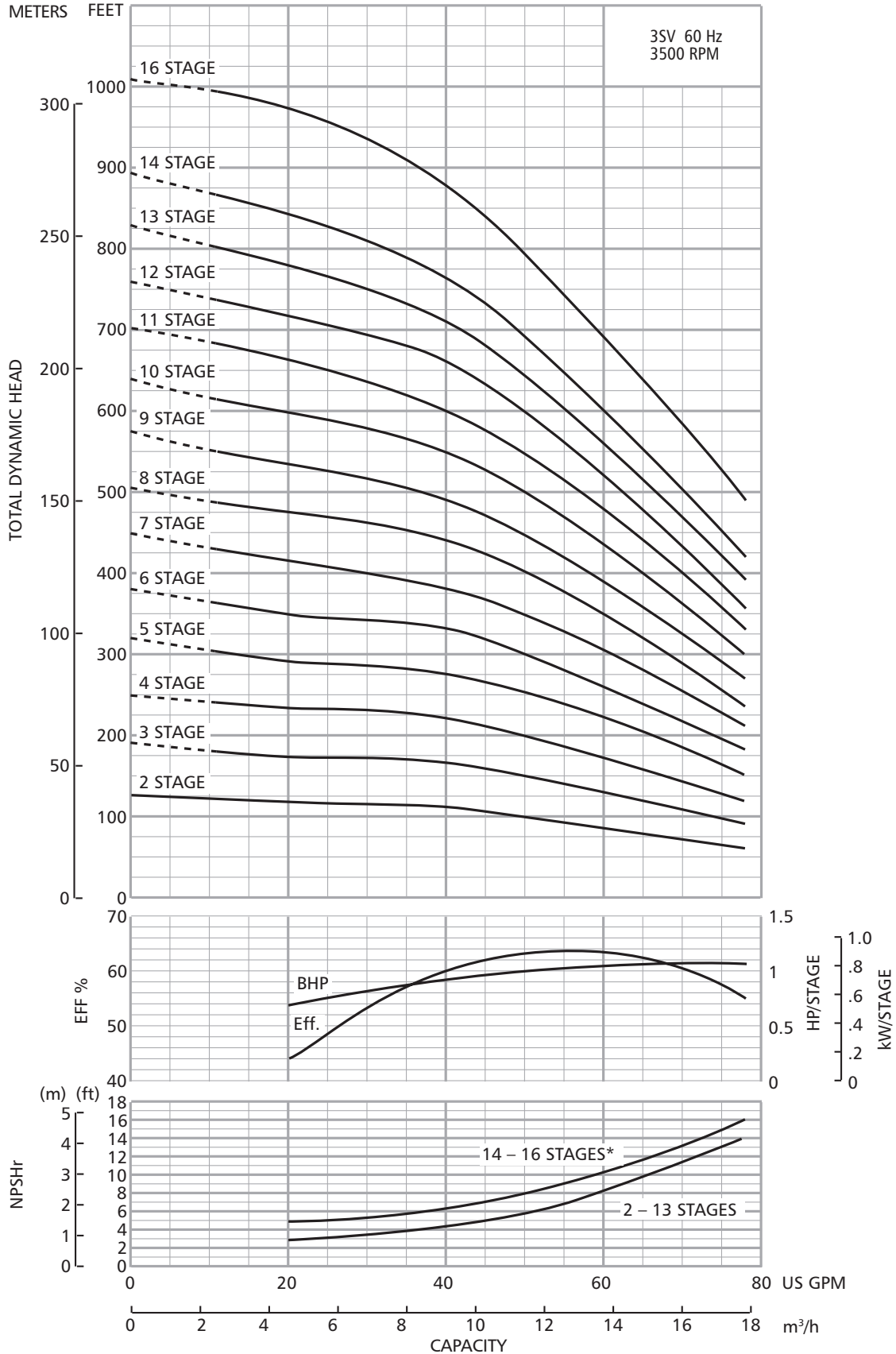


Dimensions and Weights 3SV Series 3500 RPM



Stage	Frame (1-Phase)		Frame (3-Phase)		HP	L1	L2		L3	L4	L5	M1 (ref.)	M2 (ref.)	D1 (max.)		Weights (lb)		
	ODP	TEFC	ODP	TEFC			ODP	TEFC						L3	L4	L5	ODP	TEFC
2	56C		56C		2	15.75	11.19	12.06		15.31	15.31	5.75	5.56	7.19	7.19	33	43	51
3					3	17.25	11.56	13.88		16.81	16.81		5.50			35	51	56
4	182-4TC		182-4TC		5	18.75	13.94	15.44	11.81	18.31	18.31	6.88	6.63	8.50	8.50	37	75	85
5						20.25			12.69	19.81	19.81							
6					7½	23.25	13.94	15.44	15.69	22.81	22.81	6.88	6.63	8.50	8.50	44	101	124
7	213TC		182-4TC			24.69			17.19	24.25	24.25							
8																		
9					10	28.88	15.56	15.50	20.19	28.44	8.06	8.77	10.19	10.25	47	130	151	
10	213TC		213TC	215TC		30.38			21.69						29.94			
11																		
12					15	33.38	15.56	16.56	24.63	32.94	9.25	10.19	10.83	64	128	250		
13			215TC	254TC		34.50			34.19					37.19				
14																		
16			254TC	256TC	20	35.88									68	220	280	

3SV Curve 3500 RPM



* For vertical shaft installation only.